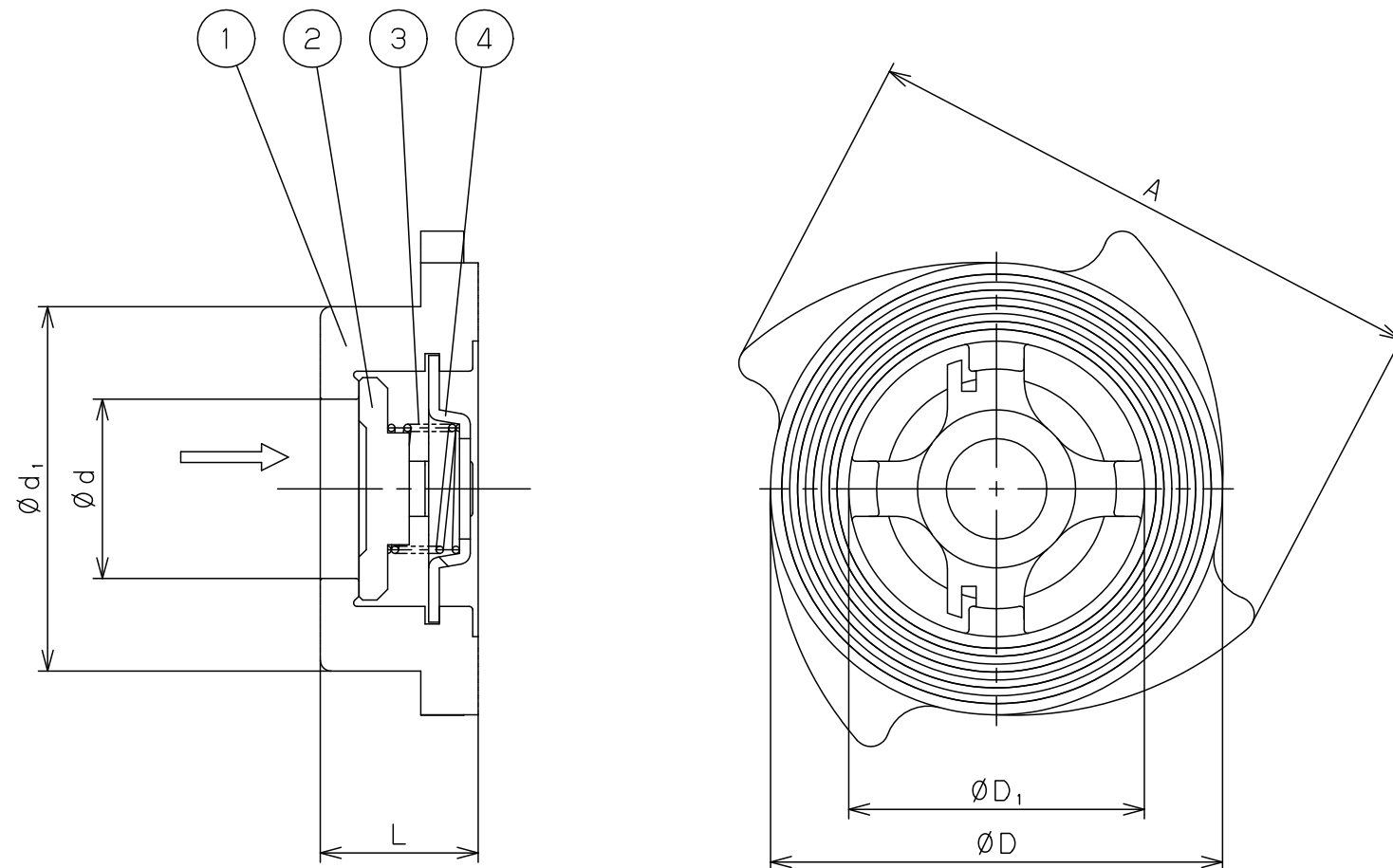


Caution
 This drawing may contain information like the covert intelligence etc. legally defended.
 The duplication, the drawing transcription, and disclosing the content or information etc. to the third party are prohibited.
 Yoshitake inc.



(mm)

Size	$\varnothing d$	$\varnothing d_1$	L	$\varnothing D$	$\varnothing D_1$	A	Weight (kg)
15A	15	35	16	43	28	63	0.2
20A	20	45	19.5	53	35	69.5	0.3
25A	25	51	22	63	41.5	80.5	0.4
32A	32	60.5	28	72.5	49.5	90.5	0.7
40A	40	70	31.5	82	57.5	101	0.9
50A	50	90	40	95.5	76	115	1.5
65A	65	102	45	116	87	142	2.2
80A	80	121	50	129.5	105.5	153.5	2.9
100A	100	145	60	154.5	128	180	4.5

4	Spring Plate	Stainless Steel	ばね受け	SUS316	1
3	Spring	Stainless Steel	ばね	SUS316	1
2	Disc	Cast Stainless Steel	ディスク	SCS14A	1
1	Body	Cast Stainless Steel	本体	SCS14A	1
No.	Name of Parts	Material	部品名	材質	Q.TY

Specification	
Fluid	
Press.	MPa
Temp.	℃

TYPE SCV-3 CHECK VALVE
 逆止弁

Approval	T. Watanabe
Check	H. Nakagawa
Drawing	T. Nagasaka
Drawing No.	Y-1194-3591-2A
Date	25 MAR. 2026

YOSHITAKE