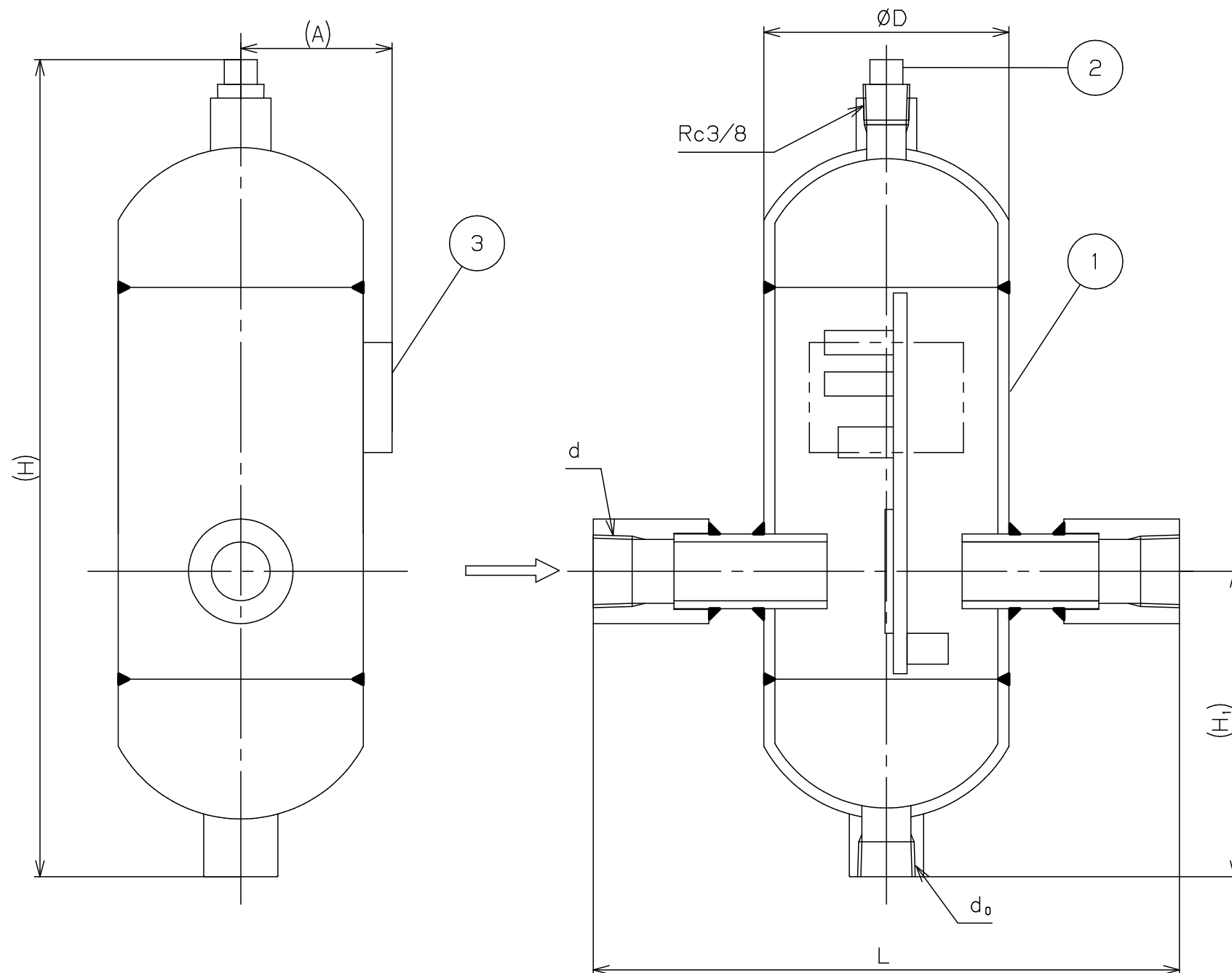


Caution

This drawing may contain information like the covert intelligence etc. legally defended. Disclosing the content of this drawing and information etc. for the production of trial product and mass-produced goods or to the third party are prohibited. Yoshitake, inc



3	Name plate	Stainless Steel	銘板	SUS	1
2	Plug	Stainless Steel	プラグ	SUS316相当	1
1	Body	Stainless Steel	本体	SUS316相当	1
No.	Name of Parts	Material	部品名	材質	Q.TY

(mm)

Size	d	L	H <sub>i</sub>	H	D	A	d <sub>0</sub>	Weight (kg)
15A	Rc1/2	182	112	272	76	45	Rc1/2	3.0
20A	Rc3/4	212	111	296	89	54	Rc1/2	3.8
25A	Rc1	244	120	325	114	70	Rc1/2	5.0
32A	Rc1 1/4	276	157	405	133	80	Rc1/2	8.8
40A	Rc1 1/2	308	167	472	168	99	Rc1	12.8
50A	Rc2	336	201	537	168	99	Rc1	15.0

TYPE DS-10 Drain Separator  
ドレンセパレーター (JIS Rc)

Approval	H. Mizuno
Check	T. Kitajima
Drawing	H. Isihihara
Drawing No.	Y-1389-3401-1A
Date	03 FEB. 2026

YOSHITAKE