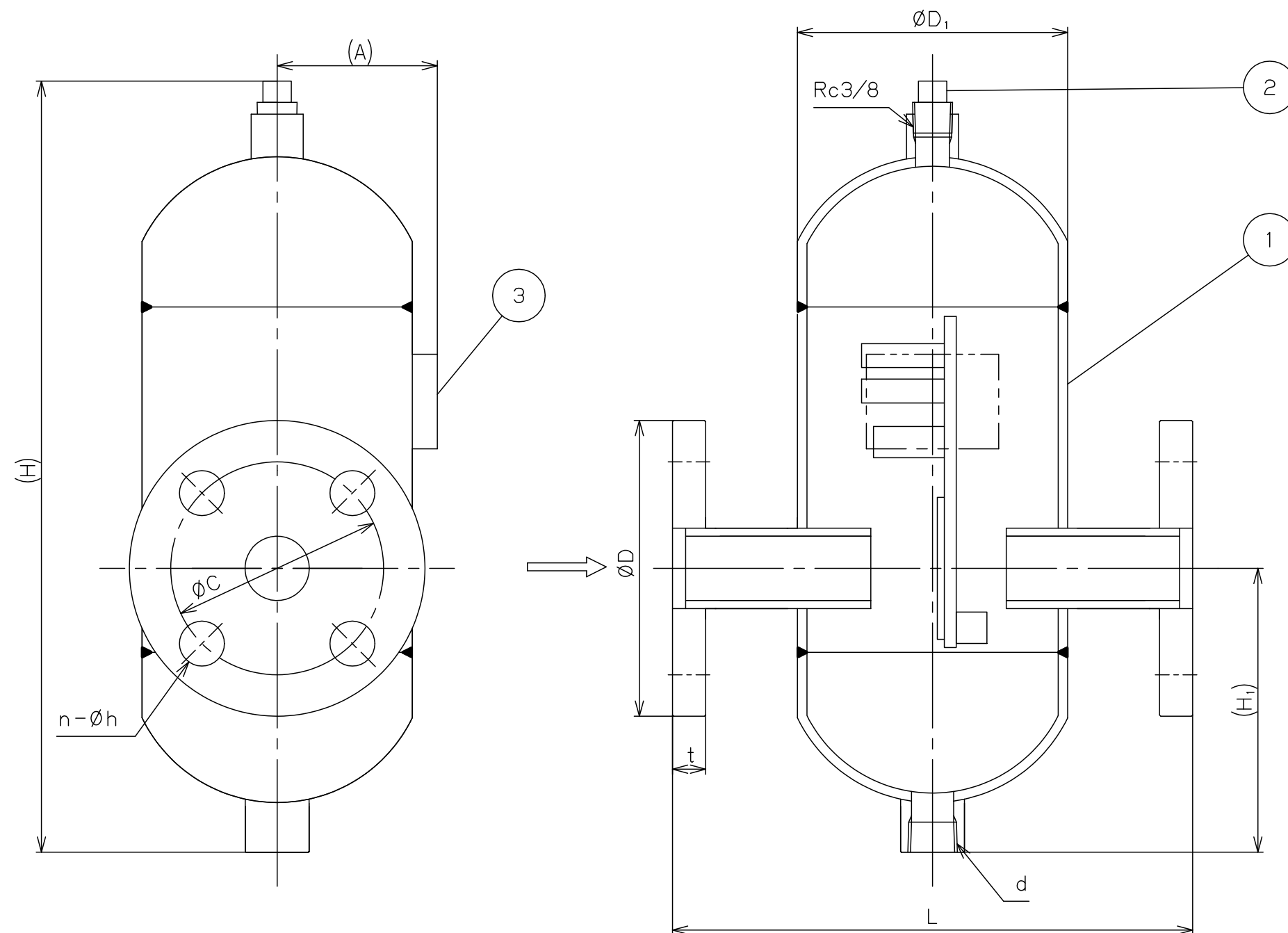


Caution

This drawing may contain information like the covert intelligence etc. legally defended. Disclosing the content of this drawing and information etc. for the production of trial product and mass-produced goods or to the third party are prohibited. Yoshitake, inc



3	Name plate	Stainless Steel	銘板	SUS	1
2	Plug	Stainless Steel	プラグ	SUS316相当	1
1	Body	Stainless Steel	本体	SUS316相当	1
No.	Name of Parts	Material	部品名	材質	Q.TY

(mm)

Size	L	H ₁	H	D ₁	A	Flange JIS 10K FF				d	Weight (kg)
						D	C	t	n-h		
15A	160	112	272	76	45	95	70	12	4-15	Rc1/2	3.5
20A	200	111	296	89	54	100	75	14	4-15	Rc1/2	4.6
25A	220	120	325	114	70	125	90	14	4-19	Rc1/2	6.5
32A	260	157	405	133	80	135	100	16	4-19	Rc1/2	11.0
40A	290	167	472	168	99	140	105	16	4-19	Rc1	14.8
50A	330	201	537	168	99	155	120	16	4-19	Rc1	17.5
65A	400	239	635	219	126	175	140	18	4-19	Rc1	35.0

TYPE DS-10F Drain Separator
ドレンセパレーター (JIS10KFF)

Approval	H. Mizuno
Check	T. Kitajima
Drawing	H. Isihihara
Drawing No.	Y-1390-3405-1A
Date	03 FEB. 2026

YOSHITAKE